

BEAUTURAL

# Fabric Shaver



Instruction Manual

Customer Service Email: [ushelp@1byonebros.com](mailto:ushelp@1byonebros.com)

## Introduction

Thank you for purchasing the BEAUTURAL Fabric Shaver. This instruction manual contains important information about its safety, usage, and disposal. Use the product as described and keep this manual for future reference. If you sell this fabric shaver or pass it on, please also give this manual to the new owner.

## Safety Instructions

- This product is only authorized for domestic use and not for commercial or industrial purposes. It is only intended for applications described in these instructions.
- This appliance can be used by children aged from 8 years and above and persons with reduced physical, sensory or mental capabilities or lack of experience and knowledge if they have been given supervision or instruction concerning use of the appliance in a safe way and understand the hazards involved. Children shall not play with the appliance. Cleaning and user maintenance shall not be made by children without supervision.
- Do not expose or submerge the shaver in water. Do not use the fabric shaver on moist fabrics.
- Make sure no foreign objects penetrate the shaver.
- Do not attempt to open the shaver's housing, except the mesh cover to clean cutting blades.
- Do not oil or grease the cutting blades! This will smear your clothes.
- When unplugging the charging cable, please hold the end of the charging cable and pull it out. Do not grab the power cable and pull it out, which may damage the cable and the connector.
- Do not put fingers or other objects into the blade part, because this may damage the machine or cause injuries.

1

- Please do not start the machine when disassembling or installing the blades.
- Please do not forcefully press the mesh cover surface or hit it with a hard object. Or it may cause damage to the machine.
- Please install the mesh cover and the cutting blades correctly, otherwise it may damage the machine or cause injuries.
- Please carefully confirm whether the blade is damaged before use. If there is any abnormality, please stop using it.
- The cutting blade is a consumable. It is recommended to use about 50 hours as the standard time of usage, and replace it according to the state of the cutting blade.

## About the Battery

This product has a built-in polymer lithium ion 1200mAh lithium battery.

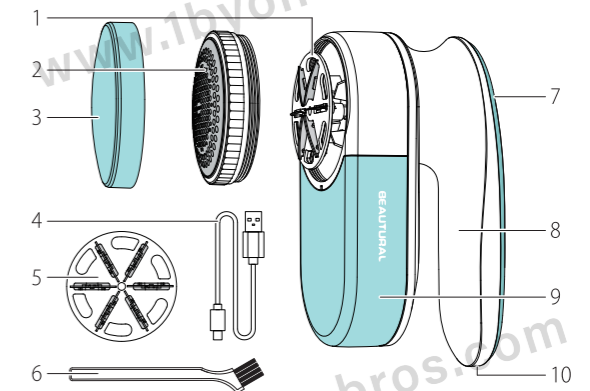
- Fully charged in about 2 hours (5V/1A adapter is recommended).
- Please remove the charger in time to avoid accidents caused by overcharge.
- Do not place this machine in high temperature and direct sunlight during charging.
- The battery will deteriorate over time, so please recharge it at least once half a year even if you do not use it for a long time.

## Warnings

- Do not remove the battery randomly.
- Do not place the removed battery in a place where children can touch it.
- If the liquid inside the battery leaks, do not touch it with your hands. If it touches your eyes or skin, please wash with clean water and consult a doctor immediately.

2

## Product Description



- |                               |                        |
|-------------------------------|------------------------|
| 1. Cutting Blades             | 6. Cleaning Brush      |
| 2. Mesh Cover                 | 7. ON/OFF/Speed Switch |
| 3. Protection Cap             | 8. Handle              |
| 4. Type-C Cable               | 9. Fluff Collector     |
| 5. Replaceable Cutting Blades | 10. USB-C Jack         |

## Included Items

- |                                |                          |
|--------------------------------|--------------------------|
| 1x Fabric Shaver               | 1x Cleaning Brush        |
| 1 x Replaceable Cutting Blades | 1 x Protection Cap       |
| 1 x Type-C Cable               | 1 x Instructional Manual |

Before using the fabric shaver for the first time, check the package contents to ensure all parts are free of visible damage.

3

## Preparing for Use

1. Fully charge the fabric shaver before using it for the first time. Ensure the socket is clean and free from any water droplets.
2. When charging, the red light will be on; the light turns blue when fully charged. The blue light is on when working, and the red light flashes until shutdown when the battery is low.
3. Press the ON/OFF/Speed Switch to choose the suitable speed level. It is recommended to use Speed Level 1 first, then switch up to Speed Level 2.
4. The fabric shaver can damage delicate fabrics and very soft materials such as angora. Before removing fluff, always test on a small area of the fabric that is not publicly visible to confirm the speed level is appropriate for the fabric.

## How to Use the Beatural Fabric Shaver?

1. Lay the garment over a hard surface such as a table top. This ensures the fabric will not gather and accidentally be damaged during shaving.
2. Press the ON/OFF/Speed Switch to the required speed level.
3. Stretch a small area of fabric with one hand during shaving and keep the shaving head at a 90-degree angle to the fabric.
4. Press the ON/OFF/Speed Switch to turn off the shaver.

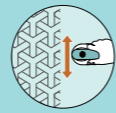
**Note:** Empty the fluff collector regularly. The fluff collector should never be more than 3/4 full. An overfilled fluff collector will slow down the cutting blades, regardless of the amount of battery power remaining.

4

## Shaving Tips



**For Knitted Fabrics**  
Guide the shaver in the direction of the knitting.



**Fabrics with Accessories**  
Avoid shaving over any accessories.



**Thin Garments**  
Fold into two layers and lay over an ironing board.

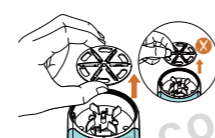


**Quick Shaving**  
Slide the shaver around over the top of the garment.



## Replacing the Cutting Blades

1. Twist and remove the mesh cover.
2. Carefully grasp the cutting blades' edge and pull them out.



5

3. Firmly insert the new cutting blades into shaver body.
4. Screw the mesh cover back into place.

**Note:**  
• Be careful when handling the cutting blades. They are very sharp and can easily be damaged.  
• Place the protective cap on the mesh cover when the shaver is not in use to protect the mesh cover and prevent children from accidentally injuring themselves.

## Cleaning the Blades and Fluff Collector

1. Unscrew the mesh cover and clean it using a slightly damp cloth.
2. Use the provided brush to remove lint remnants from the blades.
3. Pull the fluff collector down and lift it off.
4. Empty the textile fluff in the fluff collector.

**Note:**  
When cleaning the product, never use any corrosive liquids. These may damage the surface of the shaver.

6

## Specifications

Product Name: Fabric Shaver  
Model: 1-MR02NA07, W1  
Input: 5V = 1A  
Rated Voltage: 3.7V =  
Rated Power: 3W  
Battery: 1200mAh Li-battery  
Charging Time: ≤2 hours

This product's packaging is made from environmentally friendly material and can be disposed of at your local recycling plant.

## Customer Service

UNITED STATES	Phone: +1 909-391-3888 (Mon-Fri 9:00am - 5:00pm PST) Email: <a href="mailto:ushelp@1byonebros.com">ushelp@1byonebros.com</a>
CANADA	Email: <a href="mailto:cahelp@1byonebros.com">cahelp@1byonebros.com</a>

1byone Products Inc.  
1230 E Belmont Street, Ontario, CA, USA 91761  
Customer Service: +1 909-391-3888  
[www.1byonebros.com](http://www.1byonebros.com)  
Made in China

7