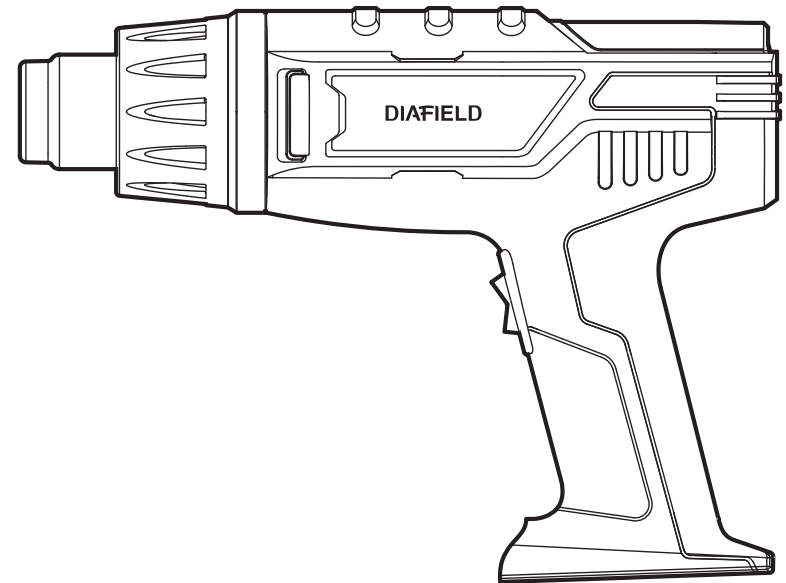


名称	1-GJ17US01 热风枪说明书 -210x145		
颜色	单色		
尺寸	145X210mm		
工艺	封面哑胶		
材质	封面铜版纸 157g、内页书写纸 80g		
折叠方式	骑马钉		
日期	2024. 09. 30	设计	Por line (修

DIAFIELD

HEAT TOOL



1byone Products Inc.
1230 E Belmont Street, Ontario, CA, USA 91761
Customer Service: +1 909-391-3888
www.1byonebros.com

Made in China

Instruction Manual

Introduction

Thank you for purchasing DIAFIELD Heat Tool. This instruction manual contains important information about safety, usage and disposal. Use the appliance as described and keep this manual for future reference. If you sell this heat tool or pass it on, also give this manual to the new owner.

IMPORTANT SAFETY INSTRUCTIONS

READ THESE INSTRUCTIONS

Hidden areas such as behind walls, ceilings, floors, soffit boards and other panels may contain flammable materials that could be ignited by the heat gun when working in these locations. The ignition of these materials may not be readily apparent and could result in property damage and injury to persons. When working in these locations, keep the heat gun moving in a back-and-forth motion. Lingering or pausing in one spot could ignite the panel or the material behind it.

WARNING:

Extreme care should be taken when stripping paint. The peelings, residue and vapors of paint may contain lead, which is poisonous. Any pre-1977 paint may contain lead and paint applied to homes prior to 1950 is likely to contain lead. Once deposited on surfaces, hand to mouth contact can result in the ingestion of lead. Exposure to even low levels of lead can cause irreversible brain and nervous system damage; young and unborn children are particularly vulnerable.

Before beginning any paint removal process you should determine whether the paint you are removing contains lead. This can be done by your local health department or by a professional who uses a paint analyzer to check the lead content of the paint to be removed. **LEAD-BASED PAINT SHOULD ONLY BE REMOVED BY A PROFESSIONAL AND SHOULD NOT BE REMOVED USING A HEAT GUN.**

Persons removing paint should follow these guidelines:

- Move the work piece outdoors. If this is not possible, keep the work area well ventilated. Open the windows and put an exhaust fan in one of them. Be sure the fan is moving the air from inside to outside.
- Remove or cover any carpets, rugs, furniture, clothing, cooking utensils and air ducts.

- Place drop cloths in the work area to catch any paint chips or peelings. Wear protective clothing such as extra work shirts, overalls and hats.
- Work in one room at a time. Furnishings should be removed or placed in the center of the room and covered. Work areas should be sealed off from the rest of the dwelling by sealing doorways with drop cloths.
- Children, pregnant or potentially pregnant women and nursing mothers should not be present in the work area until the work is done and all clean up is complete.
- Wear a dust respirator mask or a dual filter (dust and fume) respirator mask which has been approved by the Occupational Safety and Health Administration (OSHA), the National Institute of Safety and Health (NIOSH), or the United States Bureau of Mines. These masks and replaceable filters are readily available at major hardware stores. Be sure the mask fits. Beards and facial hair may keep masks from sealing properly. Change filters often. DISPOSABLE PAPER MASKS ARE NOT ADEQUATE.
- Use caution when operating the heat gun. Keep the heat gun moving as excessive heat will generate fumes which can be inhaled by the operator.
- Keep food and drink out of the work area. Wash hands, arms and face and rinse mouth before eating or drinking. Do not smoke or chew gum or tobacco in the work area.
- Clean up all removed paint and dust by wet mopping the floors. Use a wet cloth to clean all walls, sills and any other surface where paint or dust is clinging. DO NOT SWEEP, DRY DUST OR VACUUM. Use a high phosphate detergent or trisodium phosphate (TSP) to wash and mop areas.
- At the end of each work session put the paint chips and debris in a double plastic bag, close it with tape or twist ties and dispose of properly.
- Remove protective clothing and work shoes in the work area to avoid carrying dust into the rest of the dwelling. Wash work clothes separately. Wipe shoes off with a wet rag that is then washed with the work clothes. Wash hair and body thoroughly with soap and water.

A fire may result if the appliance is not used with care, therefore

- Be careful when using the appliance in places where there are combustible materials;
- DO NOT apply to the same place for a long time;
- DO NOT use in presence of an explosive atmosphere;
- Be aware that heat may be conducted to combustible materials that are out of sight;

- Place the appliance on its stand after use and allow it to cool down before storage;
- DO NOT leave the appliance unattended when it is switched on.

Electrical Safety

- The SUPPLY CORD cannot be replaced. If the cord is damaged the appliance should be scrapped.
- Heat tool plugs must match the outlet. Never modify the plug in any way.
- Unmodified plugs and matching outlets will reduce risk of electric shock.
- Avoid body contact with earthed or grounded surfaces such as pipes, radiators, ranges and refrigerators. There is an increased risk of electric shock if your body is earthed or grounded.
- DO NOT expose the heat tool to rain or wet conditions. Water entering heat tool will increase the risk of electric shock.
- DO NOT abuse the cord. Never use the cord for carrying, pulling or unplugging the heat tool. Keep cord away from heat, oil, sharp edges or moving parts. Damaged or entangled cords increase the risk of electric shock.
- When operating the heat tool outdoors, use an extension cord suitable for outdoor use. Suitable cord for outdoor use will reduce the risk of electric shock.
- If operating the heat tool in a damp location is unavoidable, use a residual current device (RCD) protected supply. Use of an RCD reduces the risk of electric shock.
- Remove any adjusting key or wrench before turning the heat tool on. A wrench or a key left attached to a rotating part of the heat tool may result in personal injury.
- To reduce the risk of electric shock, please wear proper shoes to avoid contact with earthed surfaces.

SAVE THESE INSTRUCTIONS

Note for plug:

This appliance has a polarized plug (one blade is wider than the other). To reduce the risk of electric shock, this plug is intended to fit in a polarized outlet only one way. If the plug does not fit fully in the outlet, reverse the plug. If it still does not fit, contact a qualified electrician. Do not modify the plug in any way.

Personal Safety

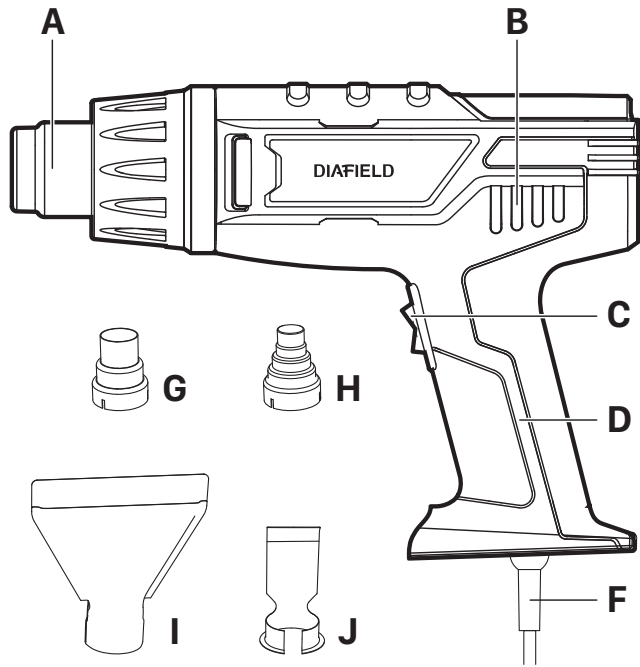
- This product is not intended for use by persons (including children) with reduced physical, sensory or mental capabilities, or lack of experience and knowledge, unless they have been given supervision or instruction concerning use of the product by a person responsible for their safety. Children should be supervised to ensure that they do not play with the product.
- Always wear gloves and eye protection when operating the heat tool.
- Make sure you are always well balanced when using the heat tool.
- Do not overreach. Keep proper footing and balance at all times. This enables better control of the heat tool in unexpected situations.
- When using the heat tool, do not wear loose clothing or jewellery, wear non-slip footwear and a hair net to protect and retain hair.
- Keep children and bystanders away while operating the heat tool. Distractions can cause you to lose control.
- Store idle heat tool out of the reach of children and do not allow persons unfamiliar with the heat tool or these instructions to operate the heat tool. Heat tool is dangerous in the hands of untrained users.

Heat Tool Use & Care

- Do not use the heat tool if the switch does not turn it on and off.
- Use the heat tool, accessories and tool bits etc., in accordance with these instructions and in the manner intended for the heat tool, taking into account the working conditions and the work to be performed. Use of the heat tool for operations different from intended could result in a hazardous situation.
- Have your heat tool serviced by a qualified repair person using only identical replacement parts. This will ensure that the safety of the heat tool is maintained.
- The nozzle gets extremely hot: wear gloves and eye protection.
- Always wear eye protection when stripping paint overhead.
- When servicing, always use manufacturer's original parts to replace worn or damaged parts.
- Do NOT direct the hot airflow towards people or animals.
- Never use the heat tool near flammable materials or in the presence of flammable gases.
- Never reduce the hot airflow by blocking or covering the nozzle.

- Be careful not to touch the nozzle as it becomes extremely hot.
- Ensure that the nozzle does not come into contact with materials during or just after operation.
- Ensure that the heat tool is always clean, dry and free from oil or grease.
- Never force the tool or accessories, and only use them for the purpose for which they are designed.
- Never use the heat tool in a damp or very wet area (for example: bathrooms, saunas).
- Never leave the heat tool out in the rain and do not use it on very damp days.
- Never push anything down inside the heat nozzle.
- Always allow the heat tool to cool down completely before storing it.
- Always store the heat tool in a safe place, out of the reach of children. It is not a toy.
- Never carry the heat tool by its power cable or pull on the cord to disconnect it.
- Use only suitable extension cables. When the heat tool is used outdoors, use only extension cables that are suitable for exterior use.
- Inspect the heat tool cable regularly and if damaged, have it repaired by authorized service centre.
- When working on small or irregular shaped objects, clamp the object in a vice or clip.
- Ensure the tool switch is at off position before plugging in.
- Disconnect the heat tool when it is not in use. Ensure that the heat tool cannot start accidentally. If the heat tool stops while it is in use, disconnect it from the power supply and have it serviced by authorized service centre.
- Store the heat tool under cover in a dry place.

Product Description



A-Nozzle	B-Air Vent
C-2-Speed Switch	D-Handle
F-Power Cord	G-20mm Concentrator Nozzle
H-12mm Concentrator Nozzle	I-Deflector Nozzle
J-Reflector Nozzle	

Included Items

- 1 x Heat Tool
- 2 x Concentrator Nozzle
- 1 x Reflector Nozzle
- 1 x Deflector Nozzle
- 1 x User Manual

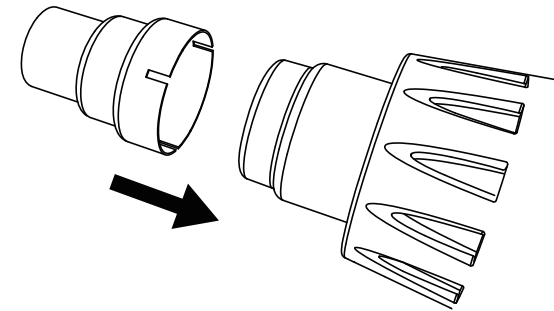
Operation

WARNING:

Always wear gloves and eye protection when operating the heat tool!

Operating the Heat Tool with Nozzles

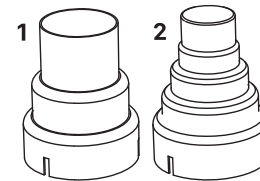
Always connect the nozzle to the heat tool **BEFORE** the heat tool is switched on. Push the nozzle attachment firmly over the nozzle on the heat tool.



DO NOT touch the nozzle when operating the heat tool.

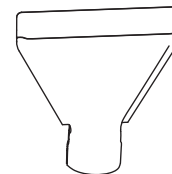
Typical Application of Nozzles

1. 20mm Concentrator Nozzle
2. 12mm Concentrator Nozzle



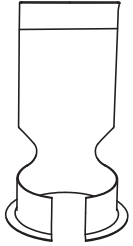
These 2 nozzles direct a concentrated heat flow to the workpiece. They are ideal for use when removing paint in awkward corners, crevices, moulding, beading, architraves or whenever precise paint removal is required.

3. Deflector Nozzle



This nozzle directs a long narrow heat pattern to the workpiece, and is ideal for removing paint or varnish from large flat surfaces such as skirting boards, doors, stairs etc. It should be used in conjunction with a flat scraper.

4. Reflector Nozzle



This nozzle disperses the heat flow evenly around the whole workpiece. It is ideal for defrosting frozen pipes, soldering pipe work, bending plastics and heat-shrinking electrical parts.

Switch the Heat Tool On/Off

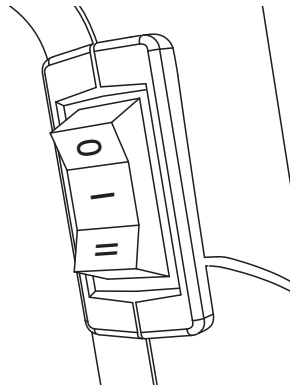
Plug the heat tool into a standard wall outlet.

To switch it on, push the 2-Speed Switch to the position "—" or "==".

To switch it off, push the 2-Speed Switch to the position "O".

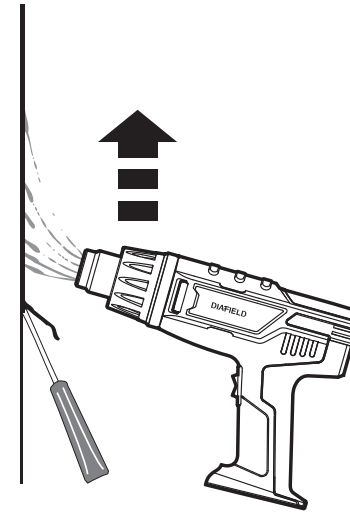
Operating at Different Temperature

Before operating the heat tool at a higher temperature, allow the heat tool to heat up for 1-2 minutes with the switch on position "—", and then push the switch to the position "==" to reach a higher heat level.



Experiment to find the optimum distance from the nozzle to the material being worked on. For safety, the distance should always be at least 50mm or more on either heat settings.

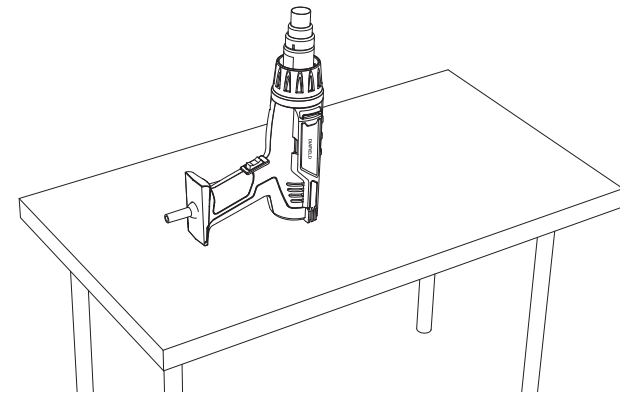
Keep the heat tool in constant motion. Do NOT stop or dwell in one spot.



After operating the heat tool at a higher temperature for a long period, switch to the position "—" for a while before switching the heat tool off completely.

After Using the Heat Tool

Always set the heat tool **upright** on a firm and level surface after it is switched off, either for a short break or for storage. Avoid laying the heat tool on the side after shutdown, or the heat will remain in the unit and cooling will take longer.



To let the heat tool cool down completely, push the switch to the position "—" and allow it to run for 2-3 minutes.

Push the switch to the position "○" to turn off the heat tool.

Unplug the heat tool before storing to prevent accidental start-up. Store the heat tool only after the nozzle cools down completely.

Cleaning and Maintenance

NOTE: The heat tool has been designed to operate over a long period of time with a minimum of maintenance.

- Keep the air vent clean and free from dust and dirt. Use soft cloth to clean the air vent preferably after each use.
- Regularly clean surface of the heat tool with a soft cloth.
- If the dirt does not come off easily, use a soft cloth with only mild soap.
- Do not use gasoline, turpentine, lacquer or paint thinner, dry cleaning fluids or similar products when cleaning the heat tool. Never allow any liquid to get inside the tool or immerse any part of the tool into a liquid.


Troubleshooting

Problem	Possible Causes	Tips
Heat tool will not turn on.	<ol style="list-style-type: none"> 1. Cord is not connected. 2. No power at the outlet. 3. Switch is set to "○". 4. Internal damage or wear. 	<ol style="list-style-type: none"> 1. Make sure that the cord is plugged in. 2. Check power at the outlet. 3. Push the switch to the position "—" to turn on the heat tool. 4. Require necessary service from technicians.
Temperature is not at desired setting	<ol style="list-style-type: none"> 1. 2-Speed Switch or the Temperature Control Dial is at incorrect setting. 2. Heat tool has not reached appropriate heat level. 	<ol style="list-style-type: none"> 1. Push the switch to desired position to adjust the temperature. 2. After adjusting the switch, wait for 1-2 minutes to allow the heat tool to reach appropriate heat level.

Unsatisfactory results	Inappropriate heat level for applications.	Adjust heat level or distance to the workpiece.
------------------------	--	---

Specifications

Model: 1-GJ17US01, L-988B
 Power: AC 120V 60Hz 1850W
 Temperature: First Gear 572.0 °F (300 °C); Second Gear 1202 °F (650 °C)
 Air Volume: First Gear 250L/min; Second Gear 500L/min
 Power Cord Length: 5.9 ft
 Weight: Approx 700g

 This product's packaging is made from environmentally friendly material and can be disposed of at your local recycling plant.

Customer Service

UNITED STATES	Phone: +1 909-391-3888 (Mon-Fri 9:00am - 5:00pm PST) Email: ushelp@1byonebros.com
CANADA	Email: cahelp@1byonebros.com
UNITED KINGDOM	Phone: +44 158 241 2681 (Mon-Fri 9:00am - 6:00pm UTC) Email: ukhelp@1byonebros.com
GERMANY/FRANCE ITALY/SPAIN	Email: euhelp@1byonebros.com

BRAND OWNER

1byone Products Inc.

1230 E Belmont Street, Ontario, CA, USA 91761

Customer Service: +1 909-391-3888

www.1byonebros.com