

www.1byonebros.com

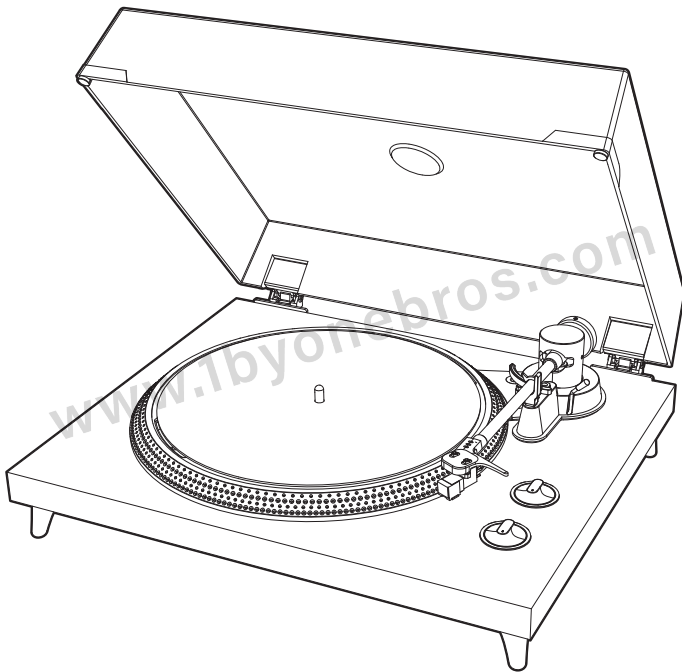
www.1byonebros.com

1byone Products Inc.  
1230 E Belmont Street, Ontario, CA, USA 91761  
Customer Service: +1 909-391-3888  
www.1byonebros.com

Made in china

# ROCK PIGEON

## Belt Drive Turntable System



www.1byonebros.com  
Instruction Manual

## Introduction

Thank you for purchasing Rock Pigeon Belt Drive Turntable System. This instruction manual contains important information about safety, usage and disposal. Use the product as described and keep this manual for future reference. If you sell this turntable or pass it on, also give this manual to the new owner.

## Important Safety Instructions

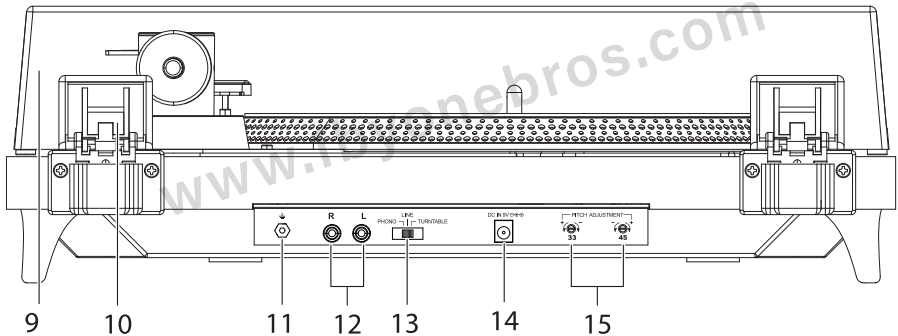
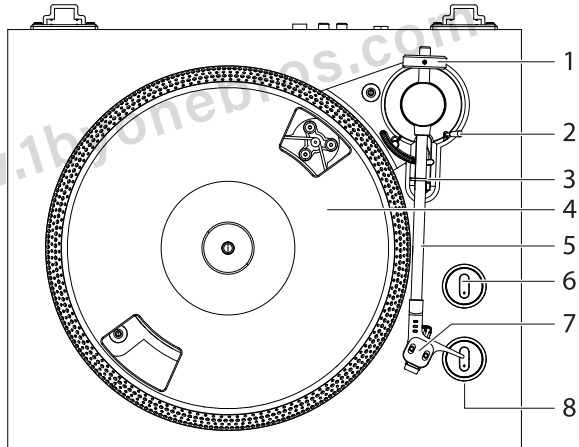
1. Read all instructions before use.
2. Keep these instructions for later use.
3. Follow all instructions.
4. Heed all warnings.
5. Do not use this product near water.
6. Clean only with a dry cloth.
7. Do not block any ventilation openings. Install in accordance with the manufacturer.
8. Do not place near any heat sources such as radiators, heat registers, or stoves.
9. Do not defeat the safety purpose of the polarized or grounding-type plug. A polarized plug has two flat prongs with one wider than the other. A grounding type plug has two flat prongs and a third grounding prong. The wide prong or the third prong is provided for your safety. If your outlets are not compatible with this product's power plug, consult an electrician about replacing the obsolete outlets.
10. Protect the power cord from being pinched or walked on, particularly close to the power plug or the point at which the power cord connects to the product.
11. Unplug this product during lightning storms or when unused for long periods of time.
12. Do not overload the electrical outlet. Use only power source as indicated.
13. Only use attachments / accessories specified by the manufacturer.
14. Refer all servicing to qualified service personnel. Servicing is required when the product has been damaged in any way, such as if the power cord is damaged, if liquid has been spilled or objects have fallen onto/into the product, if the product has been exposed to rain or moisture, if the product has been dropped, or if the product has been malfunctioning or not operating normally.
15. This product should not be exposed to dripping or splashing water and objects filled with liquids, such as vases or bowls, should not be placed on the product.
16. Use replacement parts as specified by the manufacturer.
17. Upon completion of any service or repairs to this product, ask the service technician to perform safety checks.

**WARNING: Cancer and Reproductive Harm - [HYPERLINK "www.P65Warnings.ca.gov"](http://www.P65Warnings.ca.gov)**

**For more information go to [HYPERLINK "www.1byonebros.com/Compliance/Prop65"](http://www.1byonebros.com/Compliance/Prop65).**

## Product Description

1. Counterweight
2. Tonearm Lift Lever
3. Tonearm Rest
4. Turntable Platter
5. Tonearm
6. 33/45 RPM Selector
7. Cartridge
8. STOP/VOLUME



- |   |   |
|---|---|
| <ol style="list-style-type: none"> <li>9. Lid</li> <li>10. Lid Hinge</li> <li>11. Ground Connector</li> <li>12. Phono &amp; Line Out Jacks</li> </ol> | <ol style="list-style-type: none"> <li>13. Phono/Line Out/Turntable Switch</li> <li>14. DC Power Jack</li> <li>15. Pitch Adjustment Screws</li> </ol> |
|---|---|

Upon opening the turntable's package, locate all of the following included items.

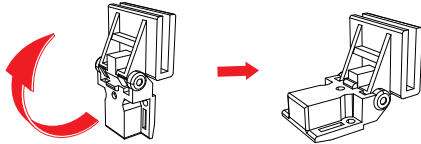
- |  |   |
|--|---|
| <ol style="list-style-type: none"> <li>1) Turntable Unit</li> <li>2) Power Adapter</li> <li>3) Lid</li> <li>4) Platter with Belt</li> <li>5) 45 RPM Adaptor</li> </ol> | <ol style="list-style-type: none"> <li>6) Counterweight</li> <li>7) Slip Mat</li> <li>8) Lid Hinge</li> <li>9) Instruction Manual</li> <li>10) Ground Wire</li> </ol> |
|--|---|

This turntable is supplied with a factory-fitted cartridge that's already adjusted.

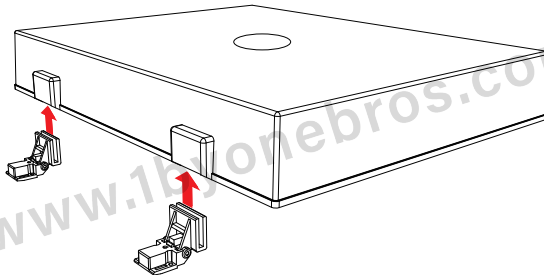
**Note:** Instructions provided in this manual for adjusting the cartridge are provided in case the cartridge is replaced at a later date by a different model.

## Installing the Lid

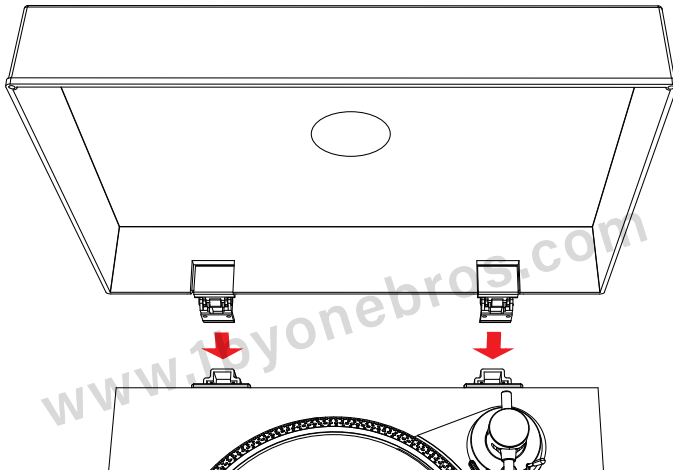
1. Bend the hinge to 90 degrees.



2. Securely install both hinge prongs on the hinge grooves of the lid. Make sure the end of each hinge is pointing toward the opposite direction of the lid.



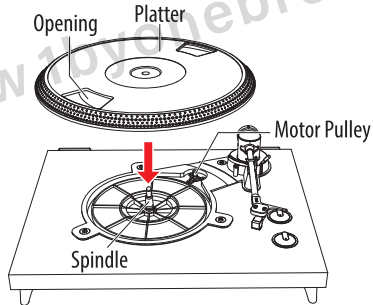
3. Install the lid with hinges into the hinge holes on the back of the turntable.



## Turntable Platter and Belt Setup

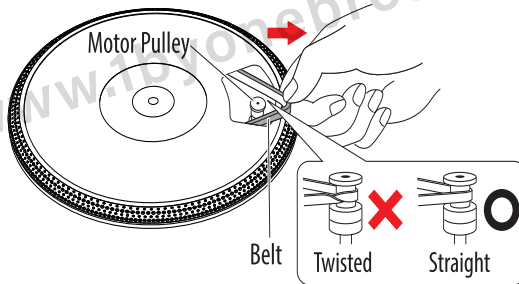
1. Set the platter on the spindle.

- Make sure that the platter is fully seated on the spindle.

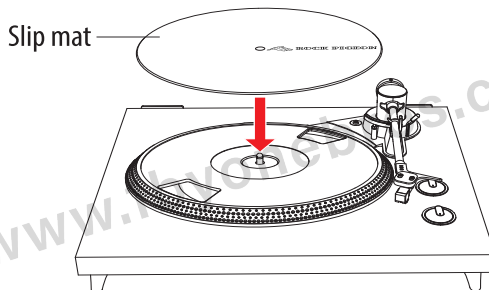


2. Place the belt on the motor pulley.

- Align one of the platter openings with the motor pulley, stretch the belt and place it on the motor pulley, as per the diagram. When doing this, be careful not to twist the belt.

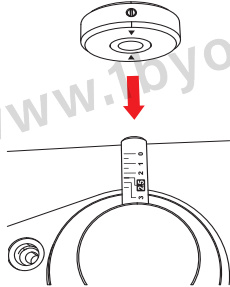


3. Place the slip mat on top of the platter.

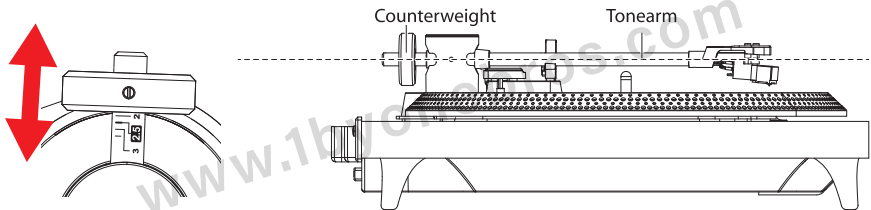


## Cartridge Tracking Force Adjustment

1. Gently push the counterweight onto the rear of the tonearm.

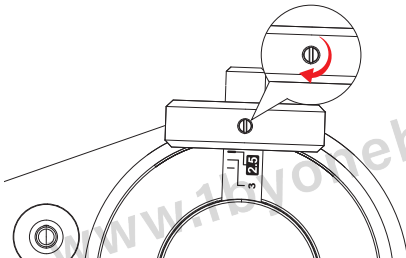


2. Carefully push and pull the Counterweight and stop when it reaches the tick mark of recommended tracking force.



**Note:** Each mark on the dial represents 0.5g. The recommended tracking force for the factory-installed cartridge is  $2.5\text{g} \pm 0.5\text{g}$ .

3. If the counterweight loosens or moves during the usage, please gently turn the screw to make it tight again.



## Setting Phono/Line Out/Turntable Switch

This product has a built-in Phono equalizer function. You can use the turntable even if you do not have a Phono amplifier or connectable equipment with a built-in Phono amplifier.

Use the **Phono/Line Out/Turntable Switch** to set the output, as shown below.

Connectable device being used	Position of Phono-Line Out Switch
Device with Phono input	Phono
Device without Phono input	Line
Use the built-in speaker	Turntable

### Connection to an Amplifier (Device with Phono input, Phono mode)

This turntable uses a moving magnetic cartridge. Set the **Phono/Line Out/Turntable Switch** on Phono mode. Connect the Phono out cables to the Phono input on your amplifier or pre-amplifier (Phono stage). **Line inputs such as CD, Tuner, Tape, or Video are not suitable for Phono inputs.** Make sure the amplification of the selected input matches the type of cartridge being used. The factory installed cartridge is 47k ohms / MM-input.

**NOTE:** If your amplifier does not have an input suitable for Phono cartridges, you will need to purchase a separate Phono amplifier for moving magnetic cartridges. This separate Phono amplifier will then connect between your turntable and your amplifier.

### Stereo System Connection (Device without Phono input, LINE mode)

Set the **Phono/Line Out/Turntable Switch** to LINE mode. The **RCA Phono & Line Out Jacks** output analog line-level signals and can be connected directly with a pair of active/powered speakers of the appropriate input of your stereo system.

The Red plug connects with the Right channel and the White plug connects with the Left channel.

**NOTE:** The RCA Jacks are not designed to be connected directly to passive/unpowered speakers in LINE mode. If connected to the passive speakers, no sound will come out.

## Main Power Connection

Unpack the power adapter from the foam packing material and plug the small end into the **DC power jack** located on the back of the turntable. Plug the power adapter plug into an electrical outlet.



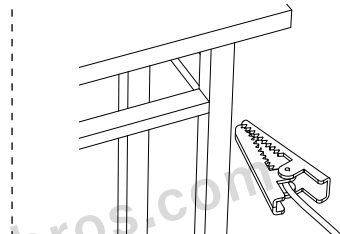
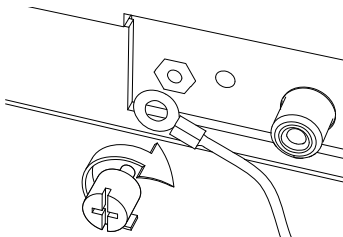
## Operation

### Turntable Operation

1. Connect the AC-DC Adapter to the AC-DC POWER Jack on the back of the unit.
2. Remove the stylus protector from the stylus.
3. Place a record on the slip mat. If using 45 RPM records, put the 45 RPM adapter on the center spindle before placing the record on the platter.
4. Turn the STOP/VOLUME Dial to start the turntable. The platter will start spinning.
5. Turn the 33/45 RPM Selector to select the correct RPM for the record.
6. Unlock the tonearm clip and set the Lift Lever to the up position.
7. Position the tonearm over the desired location (groove) on the record.
8. Move the tonearm lift lever to the down position to move the tonearm toward the record.
9. Carefully lower the tonearm on the record.
10. Adjust the VOLUME control to set the volume as desired.
11. When you are finished playing the record, set the lift lever to up position, raise the tonearm and return it to rest on the arm clip. Turn the STOP/VOLUME Dial to Stop.
12. The working principle of the turntable is that the cartridge obtains the analog music signal on the record, which could be affected by the high magnetics, high frequency, and high voltage indoors or outdoors. If there is high magnetics, high frequency, and high voltage indoors or outdoors, please ground the turntable to a grounded metal object with the included ground wire to enhance the anti-interference of the turntable and obtain a premium and clear sound quality.



45RPM Adapter



## Maintenance and Cleaning

**NOTE:** Disconnect the power cable plug from the outlet as a precaution before maintenance or cleaning.

### Turntable Body

Your turntable requires little to no regular maintenance. Remove dust with a slightly damp antistatic cloth; never use a dry cloth as this will create static electricity and attract more dust! Antistatic cleaning agents are available at specialist stores, but must be applied sparingly to avoid damage to rubber parts. It is recommended to install the needle cover before cleaning or maintenance is carried out to avoid damage.

If the turntable is not used for a long period of time, the drive belt should be removed to prevent unequal stretching.

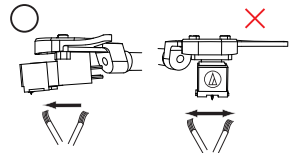
**NOTE:** Always disconnect the record player from the power supply as a precaution before maintenance!

### Useful Tips

The turntable should be positioned on a low-resonance surface such as wood or multi-layer ply board to avoid structural vibrations disturbing playback.

### Tips for Stylus Cleaning

- If dirt and grime are stuck to the stylus tip, clean it with a commercially-sold brush.
- We recommend using a stylus cleaner (not included) if the stylus tip is considerably dirty. Clean the stylus tip by moving the brush from the rear to the front of the stylus tip.

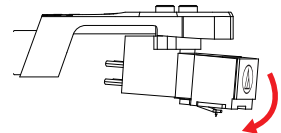


## Replacing the Stylus

### Removing the Stylus

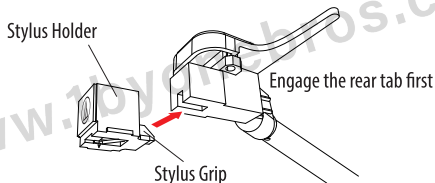
- In addition to the deterioration of sound quality, records may also be damaged as the cartridge's stylus tip wears down.
- As a rule of thumb, replace the stylus after 300 to 500 hours of use.
- Be sure to disconnect the product's power cable plug from the outlet.

1. Remove the protector from the cartridge.
2. Remove the stylus by pulling in the direction of the arrow.

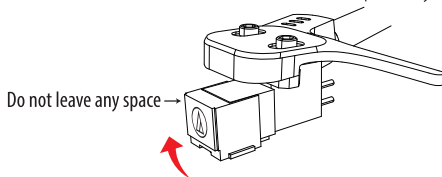


## Installing a New Replacement Stylus

1. Grasp both sides of the stylus holder and insert the stylus grip into the rear tab of the cartridge.



2. Push up the stylus holder until it clicks and locks completely in place.



## Cartridge Replacement

1. Before replacement, put the stylus protector back on the stylus to prevent damage to the stylus during the replacement process.
2. Carefully remove the wire leads from the original cartridge.
3. Loosen the two screws on the headshell that are securing the cartridge and then remove the original cartridge.
4. Mount the new cartridge to the headshell and tighten it lightly. Do not completely tighten the screws at this moment.
5. Connect the wire leads to the new cartridge's terminals. The wire lead color codes are as below:

Wire	Channel
White	Left channel positive (L+)
Black	Left channel negative (L-)
Red	Right channel positive (R+)
Black	Right channel negative (R-)

6. Adjust the cartridge's position to make sure it is precisely aligned on the headshell so that the stylus will be appropriately tracking within the grooves.

To achieve this, place the included paper **cartridge alignment protractor** over the turntable spindle, carefully lift the tone arm, and place the tip of the stylus on the points marked 130mm and 250mm respectively. Fine tune the cartridge's position on the headshell until the cartridge is perfectly in parallel with the reference lines at both points.

7. Tighten the screws completely once perfect alignment is achieved.

**NOTE:** If you are unfamiliar or uncomfortable with completing this procedure, we recommend consulting with a professional to perform the installation.

## Technical Specifications

### Turntable

Model	1-AD07US03, TT-678
Nominal Speeds	33 1/3 & 45RPM
Speed Variance	±1.5%
Wow and Flutter	≤0.15%
Signal to Noise	35dB
Tracking Force Range	0~3.5g
Effective Tonearm Length	8.5" (21.57cm)
Overhang	0.47in
Power Consumption	0.5W in Standby; 1.5W in operation
Outboard Power Supply	9V/ 1000mA AC-DC
Built-in Speaker Output Power	3W*2pcs
AC Power Adapter	Input: 100-240V 50/60Hz, Max. 200mA
Dimensions (W x H x D)	L16.65"*W13.58"*H5.12"(L42.3"*W34.5"*H13.0cm)
Weight	8.63lbs (3.91kg)

### Cartridge

Stylus Model	Audio Technica AT-3600L
Frequency Response	20Hz-20kHz
Recommended Load Resistance	47kohms
Channel Balance	< 2.5dB
Amplifier Connection	MM - input
Channel Separation	> 18dB
Recommended Tracking Force	2.5±0.5g
Output Voltage	2.5mV
Weight	5g

## Potential Incorrect Use and Fault Conditions

This turntable is manufactured to the highest standards and undergoes strict quality controls before leaving the factory. Faults that may possibly occur are not necessarily due to material or production faults but can sometimes be caused by incorrect use or unfortunate circumstances. Therefore the following list of common fault symptoms has been included here.

### **There is no power:**

- The turntable is not connected to the power adapter.
- No power at the outlet.

### **The platter doesn't turn although the unit is switched on:**

- The unit is not connected to the main power supply.
- No power at the outlet.
- The drive belt is not installed or has slipped off.

### **No signal through one or both channels:**

- Phono input not selected on amplifier.
- Amplifier not switched on.
- Amplifier or speakers muted.
- No connection to the speakers.
- No connection between turntable and amplifier.
- Wire leads not connected to the cartridge.

### **Strong hum on Phono input:**

- No ground connection from cartridge, arm, or arm cable to amplifier or ground loop.
- Turntable is too close to speakers.

### **Distorted or inconsistent sound from one or both channels:**

- Turntable is connected to wrong input of the amplifier.
- Needle or cantilever damaged.
- Drive belt overstretched or dirty.
- Platter bearing is without oil, is dirty, or is damaged.
- Dust on stylus.
- MM / MC switch on pre-amplifier set incorrectly.

### **Needle is not touching the record:**

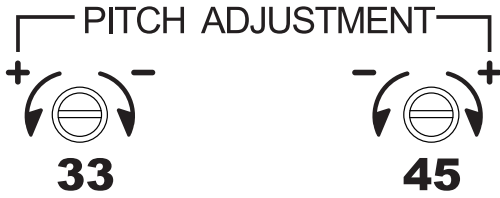
- The screw on the tonearm rest may have loosened during transport. Gently turn this screw clockwise to move the needle stylus closer to the record.

**Needle is scratching the record's surface:**

- Gently turn the tonearm rest screw anticlockwise to move the needle stylus away from the turntable.

**The speed is too fast or too slow:**

- Start the turntable. When the platter is spinning, use a slotted/flathead screwdriver to turn the pitch adjustment screws carefully to adjust the speed.

 <p>PITCH ADJUSTMENT</p> <p><b>33</b>                      <b>45</b></p>	
Counterclockwise: Speed up Clockwise: Slow down	Counterclockwise: Slow down Clockwise: Speed up

**NOTE:** If a thinner or thicker 3rd-party slip mat is used on the platter, gently adjust the screw as needed following the steps in the last two situations listed.



This product's packaging is made from environmentally friendly material and can be disposed of at your local recycling plant.

## Customer Service/Kundenservice Service Clients/Atención al cliente/Assistenza Clienti

<b>UNITED STATES</b>	Phone: +1 909-391-3888 (Mon-Fri 9:00am - 5:00pm PST) Email: ushelp@1byonebros.com
<b>CANADA</b>	Email: cahelp@1byonebros.com
<b>UNITED KINGDOM</b>	Phone: +44 158 241 2681 (Mon-Fri 9:00am - 6:00pm UTC) Email: ukhelp@1byonebros.com
<b>GERMANY/FRANCE ITALY/SPAIN</b>	Email: euhelp@1byonebros.com

### BRAND OWNER

1byone Products Inc.

1230 E Belmont Street, Ontario, CA, USA 91761

Customer Service: +1 909-391-3888

[www.1byonebros.com](http://www.1byonebros.com)