

# BEAUTURAL

## 24-Hour Customer Service & 2-Year Warranty

Phone: +1 909-391-3888  
(Mon-Fri 9:00am - 5:00pm PST)  
US: ushelp@1byonebros.com  
CA: cahelp@1byonebros.com  
Website: www.1byonebros.com

If any accessory is missing from the package or there are any issues with the product, please get in touch with our official customer service. We will be pleased to serve you!

1byone Products Inc.  
1230 E Belmont Street, Ontario, CA, USA 91761  
Customer Service: +1 909-391-3888  
www.1byonebros.com

Made in China

## Professional Manicure & Pedicure Kit



Instruction Manual

## Introduction

Thank you for purchasing the Beautural Professional Manicure & Pedicure Kit. This instruction manual contains important information about its safety, usage, and disposal. Use the product as described and keep this manual for future reference. If you sell this kit or pass it on, please also give this manual to the new owner.

## Warning

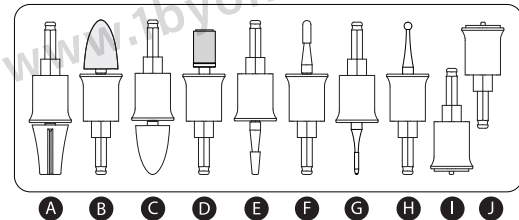
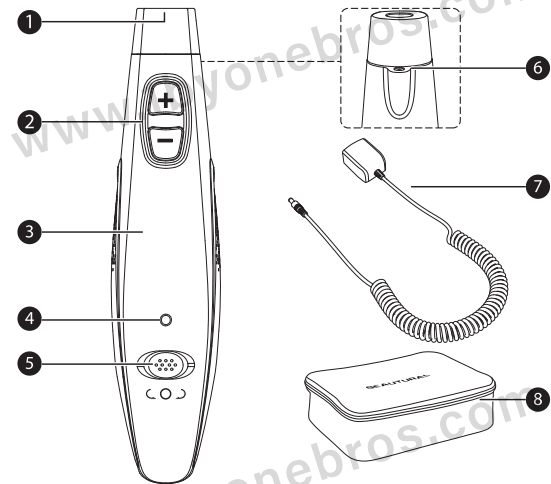
- The Professional Manicure & Pedicure Kit is intended for household and commercial use.
- This kit can be used by children aged from 8 years and above and persons with reduced physical, sensory or mental capabilities or lack of experience and knowledge if they have been given supervision or instruction concerning use of the kit in a safe way and understand the hazards involved. Children shall not play with the kit. Cleaning and user maintenance shall not be made by children without supervision.
- Do not use this kit if it shows signs of damage or does not function properly. In these cases, contact Customer Services.

## Safety Instructions

- A considerable amount of heat may be generated on the skin during use.
- When using the manicure & pedicure device, carefully check its results during the treatment process. This is particularly advisable in the case of users suffering from diabetes, as they are less sensitive to pain and are liable to become injured. Always use with extreme care. If in doubt, ask your physician.
- This manicure & pedicure kit must be used only for the purpose for which it has been developed, and in the manner described in the instructions for use. Any improper use can be dangerous.
- Switch off the manicure & pedicure device immediately in the event of defects or malfunctions.

- Only qualified technicians can perform repairs on electrical devices. Improper repairs may subject users to considerable danger.
- Use the manicure & pedicure device only with the accessories provided.
- Never leave the manicure & pedicure device unattended when it is in operation.
- Keep the manicure & pedicure kit away from sources of heat.
- Do not use the manicure & pedicure device under a cover, blanket, pillow, etc.
- Do not use the manicure & pedicure device longer than 15 minutes at a time. After use, let the manicure & pedicure device rest for 15 minutes before restarting it again to allow the motor to cool. This will prolong the manicure & pedicure device's lifespan.
- Do not use the manicure & pedicure device when bathing or showering. Do not store or keep the device in places from where it can fall into a bath or wash basin.
- Never immerse the manicure & pedicure device in water or other liquids.
- If the manicure & pedicure device drops into water, unplug it from power immediately.
- Ensure your hands are dry before handling the manicure & pedicure device.
- Do not continue to use the power adapter if it has been damaged.
- For reasons of hygiene, the manicure & pedicure kit should only be used on one individual only.

## Product Description



- |  |                               |
|--|-------------------------------|
| 1. Attachment Port   | A- Hardened Skin Remover      |
| 2. Speed Buttons "+/-"   | B- Sapphire Cone Bit          |
| 3. Handle  | C- Felt Cone Bit              |
| 4. LED Rotation Direction Indicator<br>(red: anti-clockwise/green:<br>clockwise) | D- Mandrel Bit & Sanding Band |
| 5. On/Off/Direction switch   | E- Flat Top Tapered Bit       |
| 6. LED Light   | F- Round Top Safety Bit       |
| 7. Power Adapter   | G- Needle Shape Bit           |
| 8. Carrying Bag  | H- Ball Shape Bit             |
|  | I- Fine Disk Bit              |
|  | J- Coarse Disk Bit            |

## Included Items

- 1 x Manicure & Pedicure Device    1 x Power Adapter  
10 x Attachments                      1 x Carrying Bag  
20 x Sanding Bands                  1 x Instruction Manual

Before using the Professional Manicure & Pedicure Kit for the first time, check the package contents to ensure all parts are free of visible damage.

## Operation Instructions

1. Make sure the device is switched off (slide the on/off/direction switch in the middle position) before plugging into power and fitting attachments.
2. Select an attachment according to different needs and push it into the top of the device. A clicking sound will be heard when the attachment is fixed in place. To remove, pull the attachment straight out of the device.
3. Slide the on/off/direction switch in the desired direction. The selected direction of rotation is shown by the colored LED direction indicator as follows:
  - Red LED = anti-clockwise
  - Green LED = clockwise
4. The two buttons marked with plus (+) and minus (-) allow the speed of rotation to be selected (15 speed levels optional). It is recommended to start the manicure & pedicure device at low speed and increase it as required. The device will start with the middle speed setting (setting 8) the first time it is turned on after being plugged into power.

### Notes:

- This manicure & pedicure kit is intended only for the treatment of hands (manicure) and feet (pedicure).
- Always ensure the attachment heads can rotate freely. If they become jammed or are blocked from rotating, the device will become very hot and suffer damage.

## Attachments and Instructions

### Notes:

1. While the device is running, use gentle wiping force to move the drill bit in one direction over the parts to be treated. Do not exert heavy pressure.
2. In order to retain the skin's natural protection, do not remove too much skin from calluses. Removing too much skin may also cause calluses to grow back much harder.
3. The attachments will have a reduced effect if the skin is softened or moist. For this reason, it is not recommended to take a bath or shower immediately before using the manicure & pedicure device.
4. After every use, apply moisturizing cream to the skin parts treated.

### Important:

- Always continue checking the results of the manicure or pedicure while in progress. This is particularly important for diabetics as their hands and feet may be less sensitive.

### A- Hardened Skin Remover

For removing thick or large-scale calluses on the soles and heels of the feet.

- Guide the hardened skin remover attachment over the parts of the sole and heel to be treated. Gently move in one direction.



### B- Sapphire Cone Bit

For removing dead skin or thick calluses.

- Guide the sapphire cone bit over the parts to be treated. Gently move in one direction.



### C- Felt Cone Bit

For smoothing and polishing nail surfaces after filing.

- Gently polish in one direction and do not allow the felt cone to rest in one place, otherwise friction could cause heat to develop.



### D- Mandrel Bit & Sanding Band

Suitable for removing dead skin and calluses and for removing gel nails and Acrylic nails.

- Sanding bands can be removed from the mandrel bit. Unlike the other nail bits, sanding bands are single-use and can be disposed of after each client.
- Twenty sanding bands are included. To maintain natural skin protection, do not completely remove calluses.



### E- Flat Top Tapered Bit

Used to shape the cuticle area or prep the nail plate.

- Gently trace the thick cuticle with the bit, and lightly push the remaining cuticle up. Keep the bit parallel with the edge and do not go too deep into the nail plate.



### F- Round Top Safety Bit

Suitable for basic cuticle exfoliation and nail surface work.

- Safety drill bits come with a smooth round top. They allow you to clean the cuticles without damaging the nail.



### G- Needle Shape Bit

Suitable for nail carving and nail corner filing.

- This particular slim shape helps the bit to get into tight spaces, such as under the nail and sidewalls. Proceed cautiously and use only at low speed setting.



### H- Ball Shape Bit

Suitable for cuticle exfoliation around the nail.

- Once the cuticle has been lifted up and off the nail plate, gently trace the rim with the bit. It is great for cleaning dead skin and trimming edges for a more polished result.



### I- Fine Disk Bit

Used to grind and shorten thinner nails such as fingernails.

- Only the inner sapphire disk rotates, while the outer support is stationary, enabling precise filing of the nails without the risk of burning the surrounding skin due to the fast rotation of the disk.



### J- Coarse Disk Bit

Used to grind and shorten thicker nails such as toenails.

- As with the fine disk bit, only the inner sapphire disk rotates, enabling precise filing of the nails without the risk of burning the surrounding skin. Always work from the outside of the nail to the tip.



## Memory Function

When powering off the manicure & pedicure device using the On/Off switch, the last-used speed setting will be active when the device is next turned on. The last-used speed setting will be erased from memory if the device is unplugged from power and the device will use speed setting 8 (the middle setting) when plugged back in and turned on.

## Maintenance and Care

- Before cleaning the manicure & pedicure device, always unplug it from power.
- Clean the attachments with a slightly moistened cloth. You can also moisten the cloth with mild soap to remove more stubborn dirt and grim.
- If necessary to improve hygiene, the attachments can be cleaned with a cloth or brush moistened with alcohol. Carefully dry the attachments afterwards.
- Do not drop the manicure & pedicure device.
- Make sure no water ever enters the manicure & pedicure device.
- Do not use chemical detergents or scouring agents for cleaning.
- Never immerse the manicure & pedicure kit in water or other liquids.

## Specifications

Model: 1-MR05US01, HC-383

Supply Input: 100-240V~; 50/60Hz 0.5A

Supply Output: 30V  $\equiv$  0.25A; 7.5W

Rotation Speed: 2000~4600rpm ( $\pm 15\%$ )



This product's packaging is made from environmentally friendly material and can be disposed of at your local recycling plant.

## Customer Service

<b>UNITED STATES</b>	Phone: +1 909-391-3888 (Mon-Fri 9:00am - 5:00pm PST) Email: ushelp@1byonebros.com
<b>CANADA</b>	Email: cahelp@1byonebros.com
<b>UNITED KINGDOM</b>	Email: ukhelp@1byonebros.com
<b>GERMANY/France ITALY/Spain</b>	Email: euhelp@1byonebros.com

### BRAND OWNER

1byone Products Inc.

1230 E Belmont Street, Ontario, CA, USA 91761

Customer Service: +1 909-391-3888

www.1byonebros.com